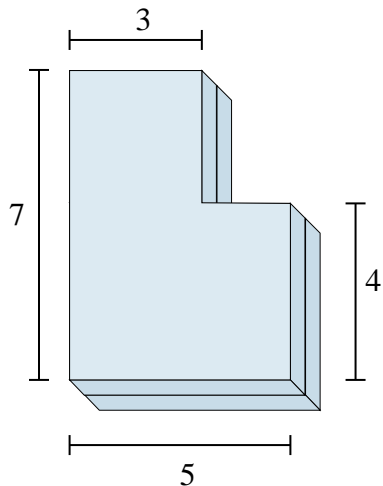




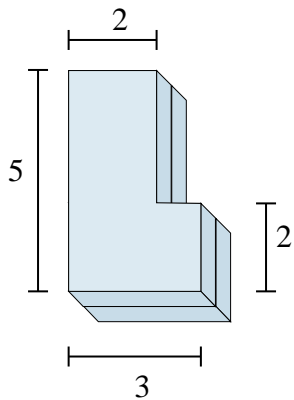
Find the total volume of each figure shown. Measured in cm (not to scale).

Answers

1)



2)



1. _____

2. _____

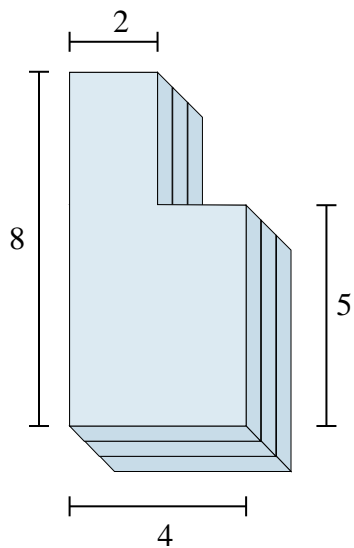
3. _____

4. _____

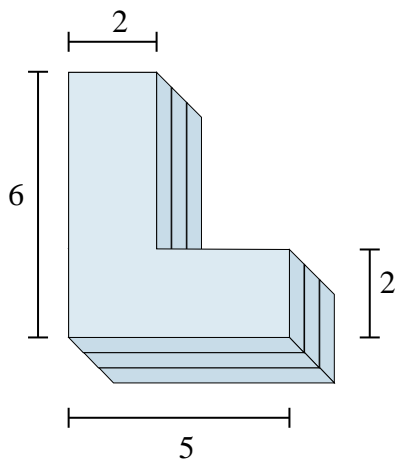
5. _____

6. _____

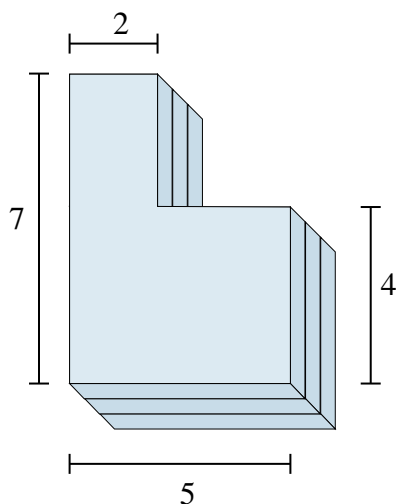
3)



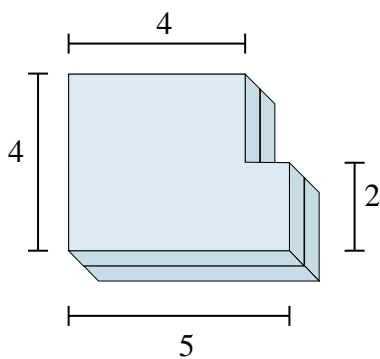
4)



5)



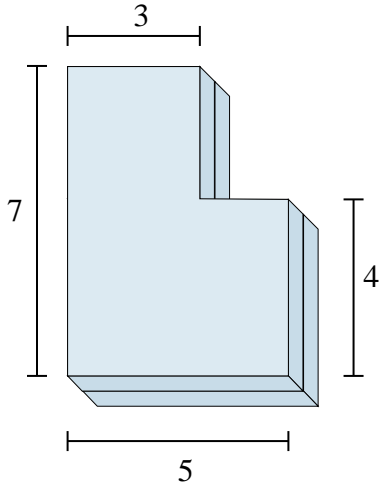
6)



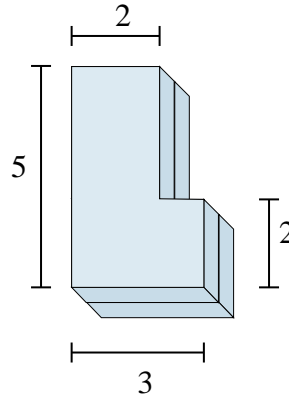


Find the total volume of each figure shown. Measured in cm (not to scale).

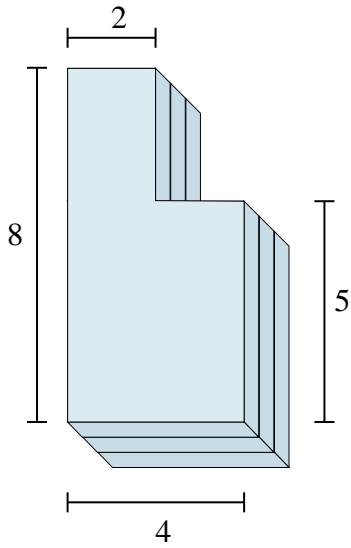
1)



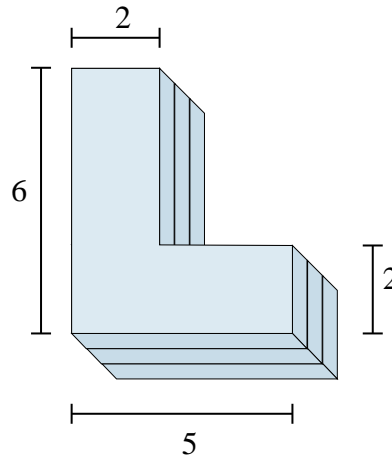
2)



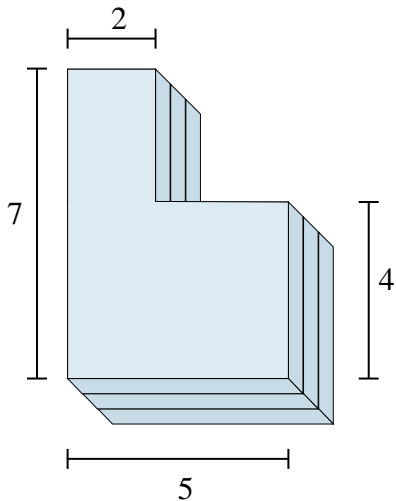
3)



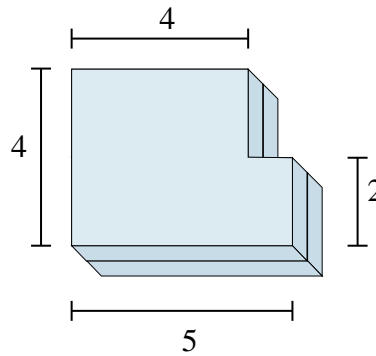
4)



5)



6)



Answers

1. **58 cm³**

2. **24 cm³**

3. **78 cm³**

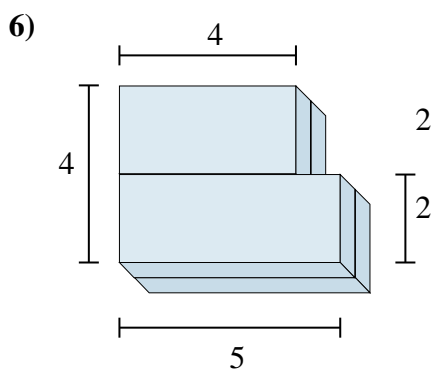
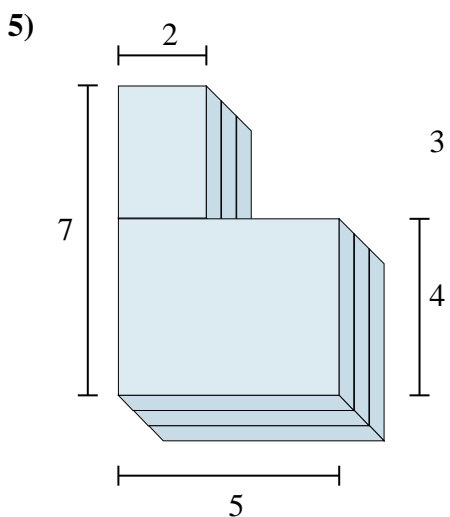
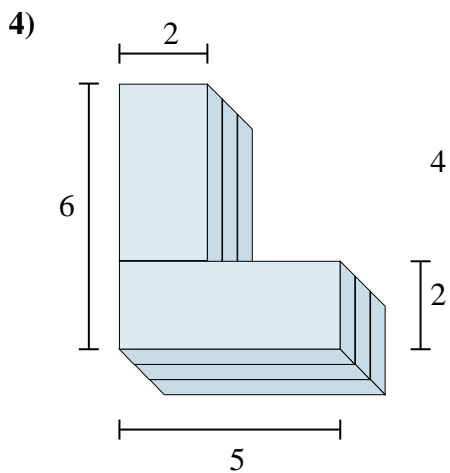
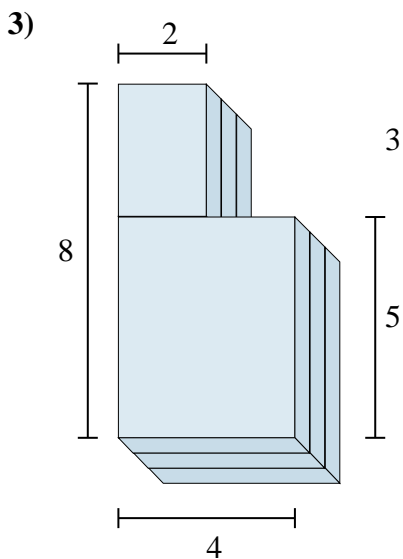
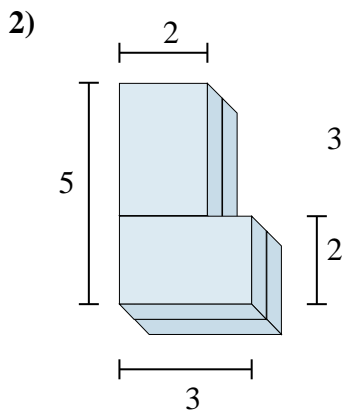
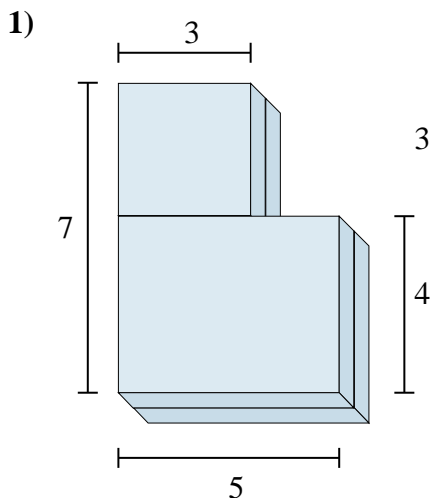
4. **54 cm³**

5. **78 cm³**

6. **36 cm³**



Find the total volume of each figure shown. Measured in cm (not to scale).



Answers

1. _____
2. _____
3. _____
4. _____
5. _____
6. _____